

FIGURE 1

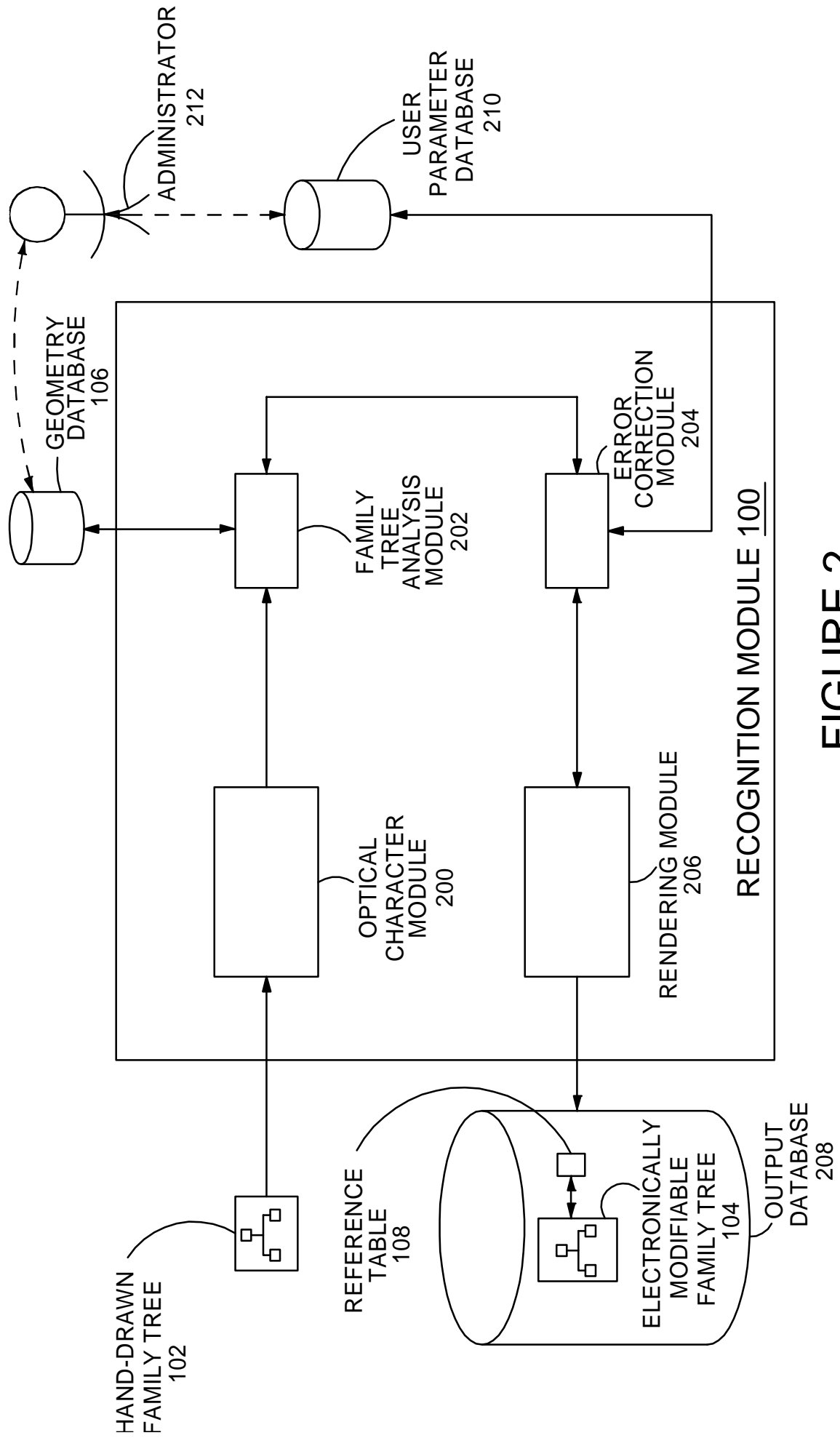




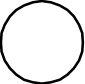






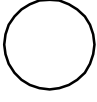


FIGURE 2

GEOMETRY <u>300</u>	NAME <u>302</u>	SUB-TYPES <u>304</u>
	MALE	
	NORMAL DECEASED	
	AFFECTED	
	AFFECTED DECEASED	
		: :
	FEMALE	
	NORMAL DECEASED	
	AFFECTED	
	AFFECTED DECEASED	
		: : :
	PARTNERSHIP CONNECTOR	
	PARTNERSHIP W/CHILDREN	

GEOMETRY DATABASE
106

FIGURE 3

GEOMETRY 400	NAME 402	DESCRIPTION 404	RELATIONSHIP 406	OTHER 408
	MALE	JOHN DOE AFFECTED W/CYSTIC FIBROSIS	FATHER 1	aaa
	FEMALE	JENNY DOE	DAUGHTER OF FATHER 1	bbb
<ul style="list-style-type: none"> • • • 				

REFERENCE TABLE 108

FIGURE 4

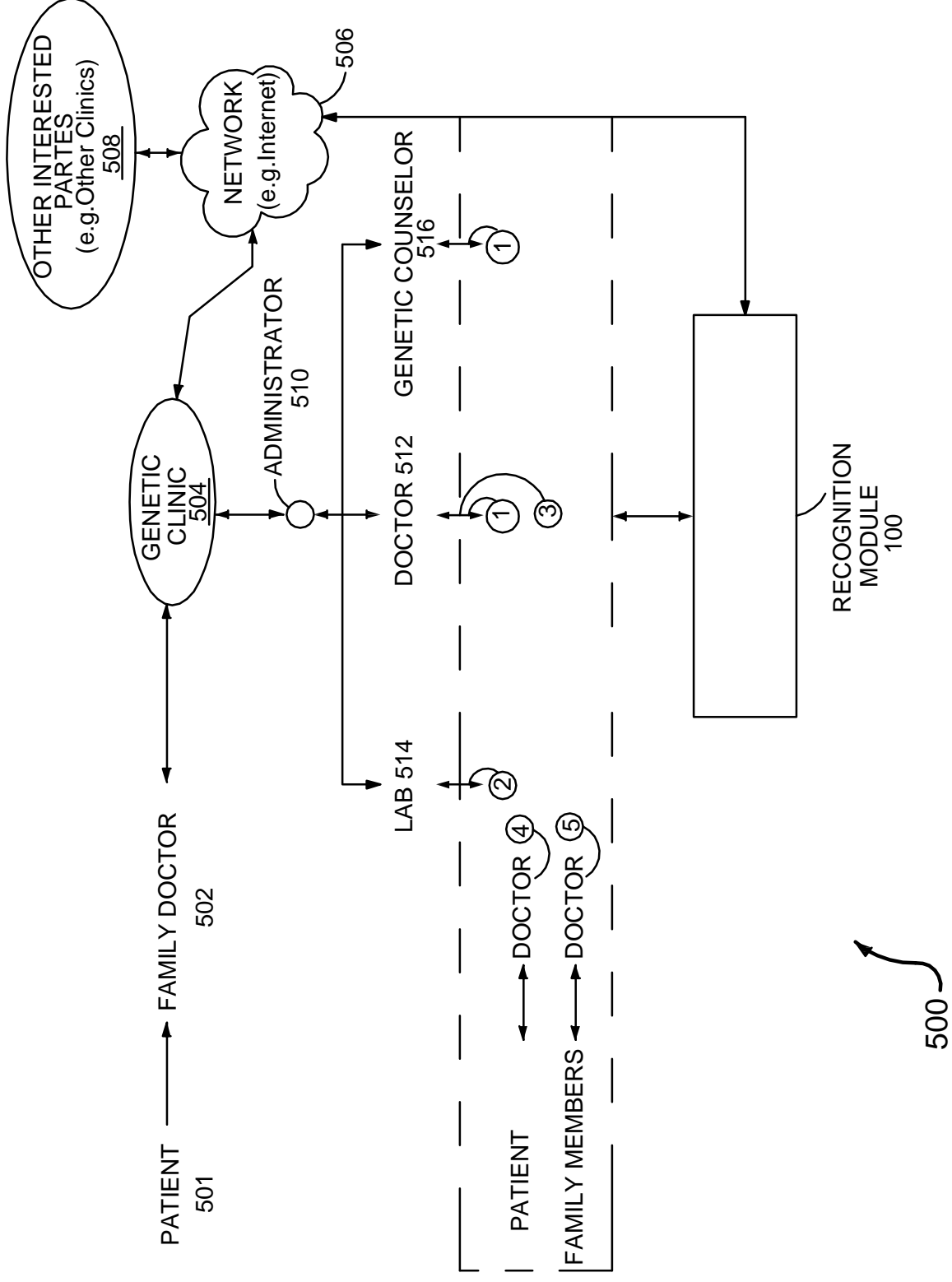


FIGURE 5

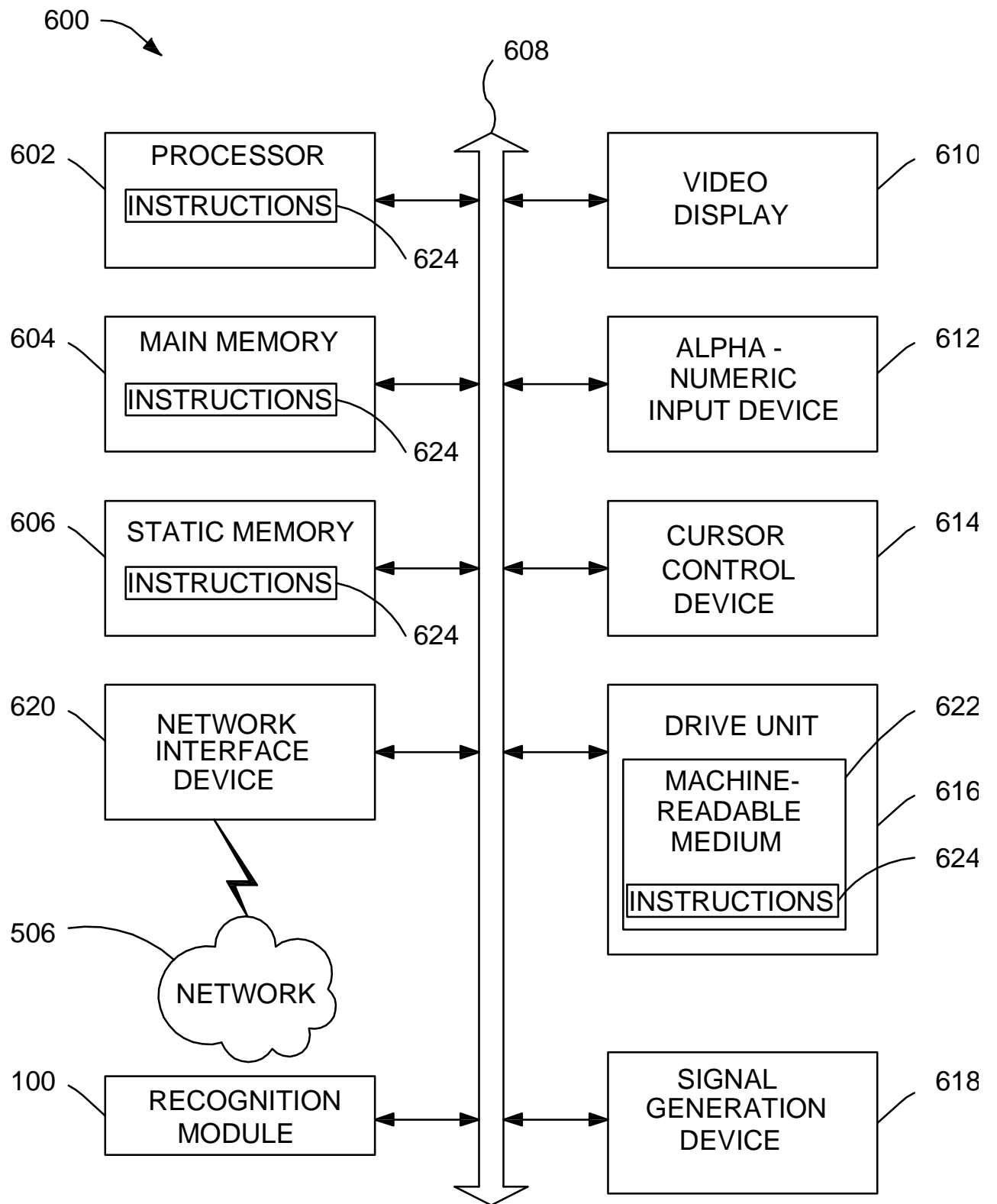


FIGURE 6

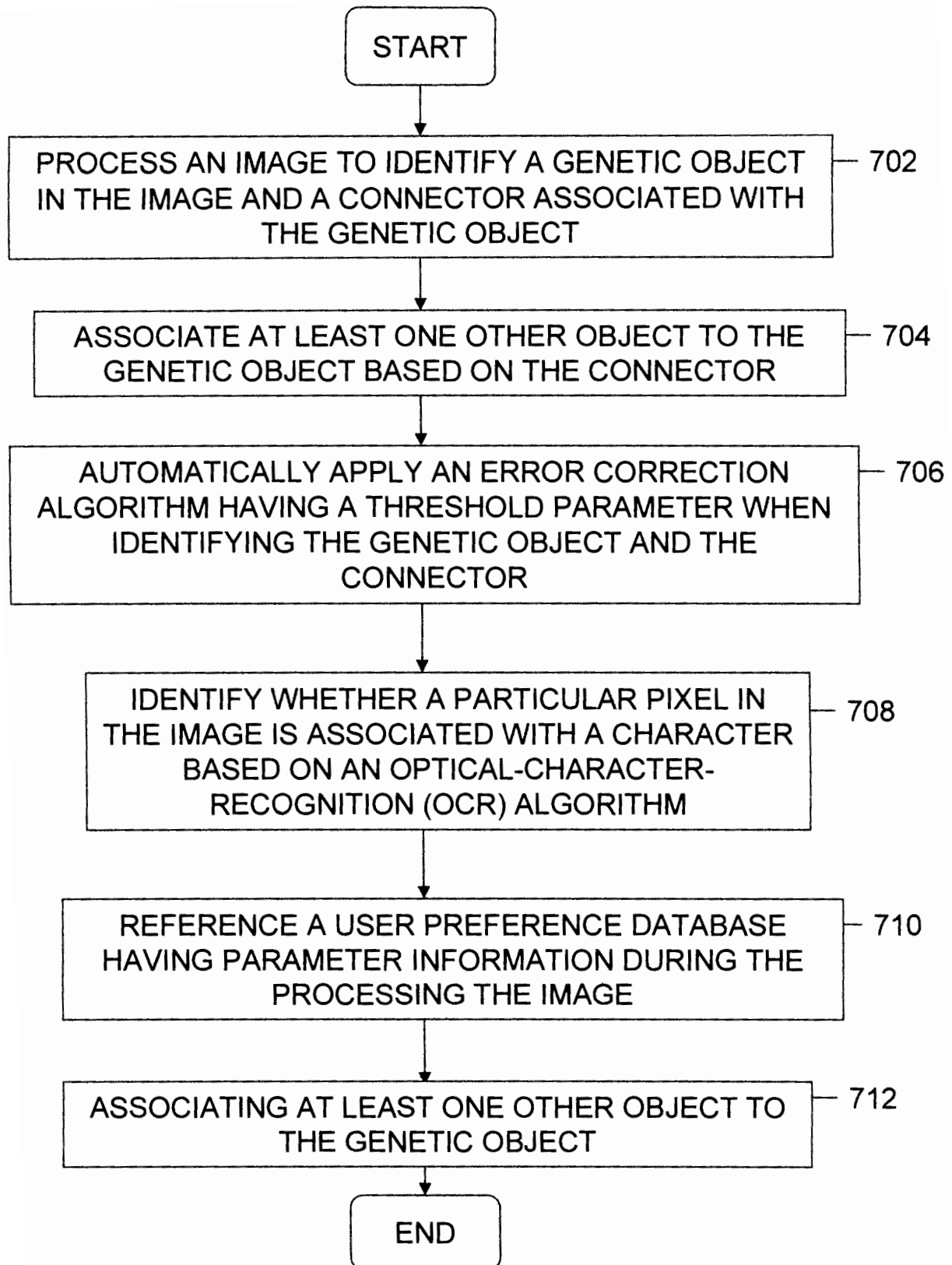


FIGURE 7

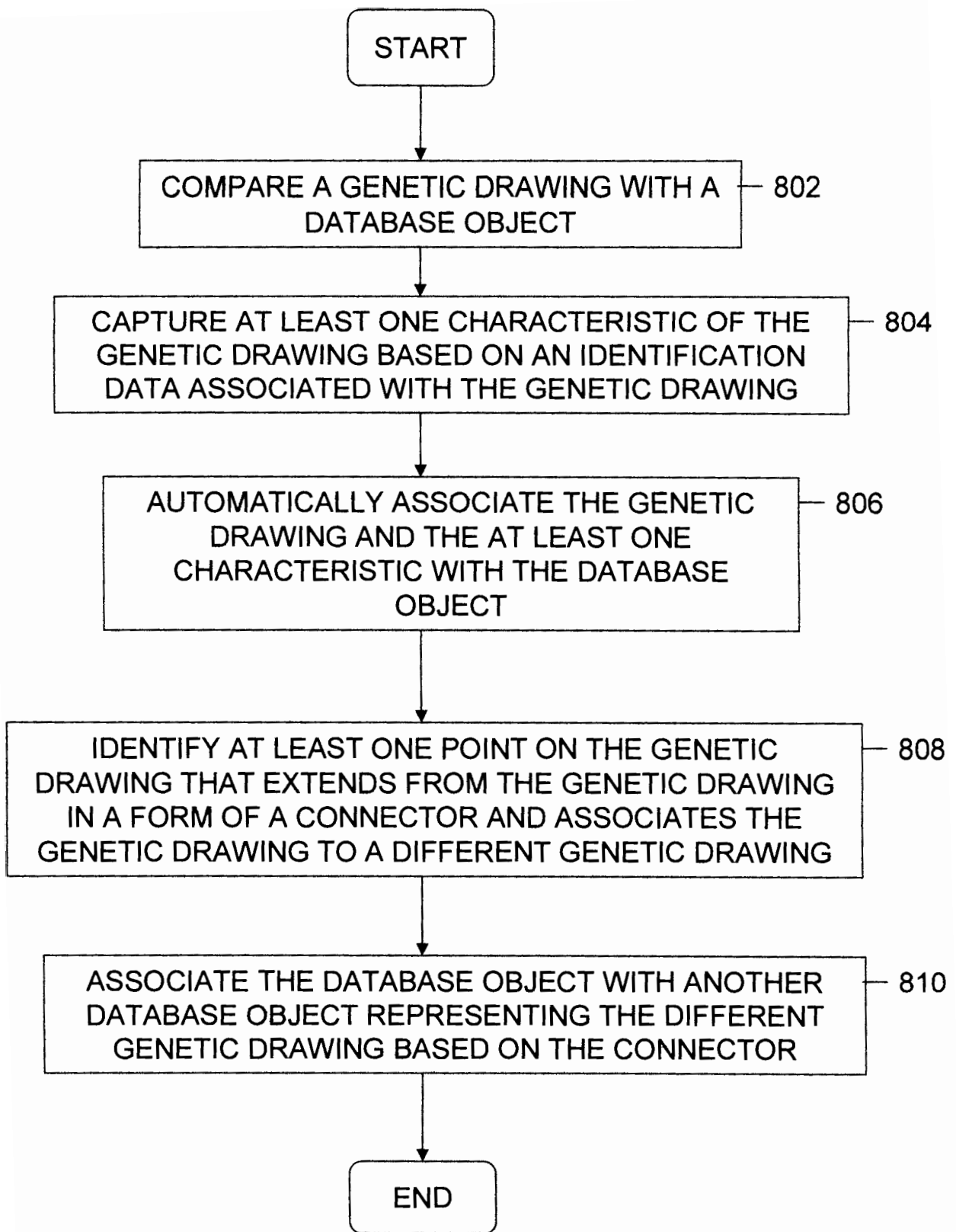


FIGURE 8

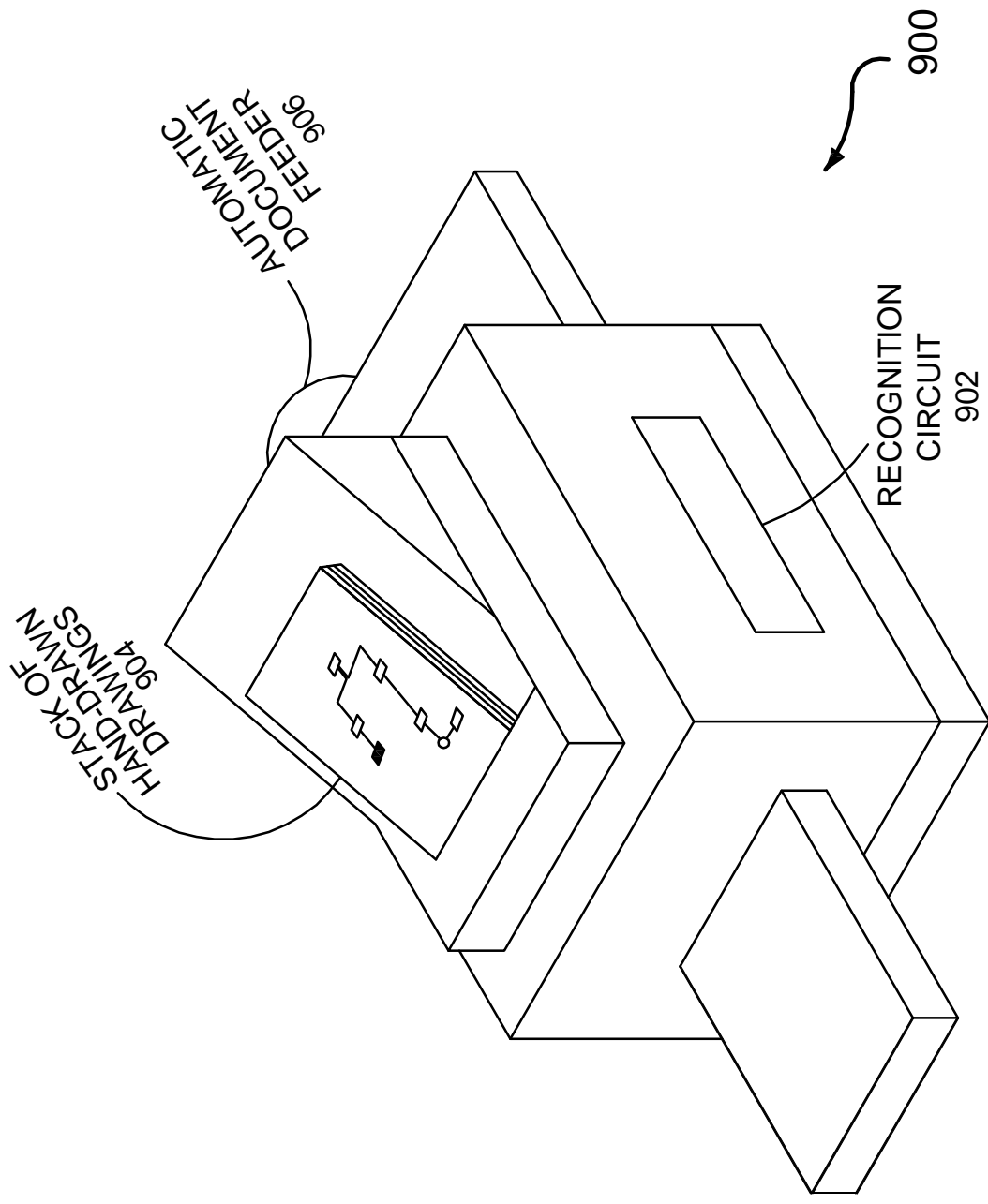


FIGURE 9

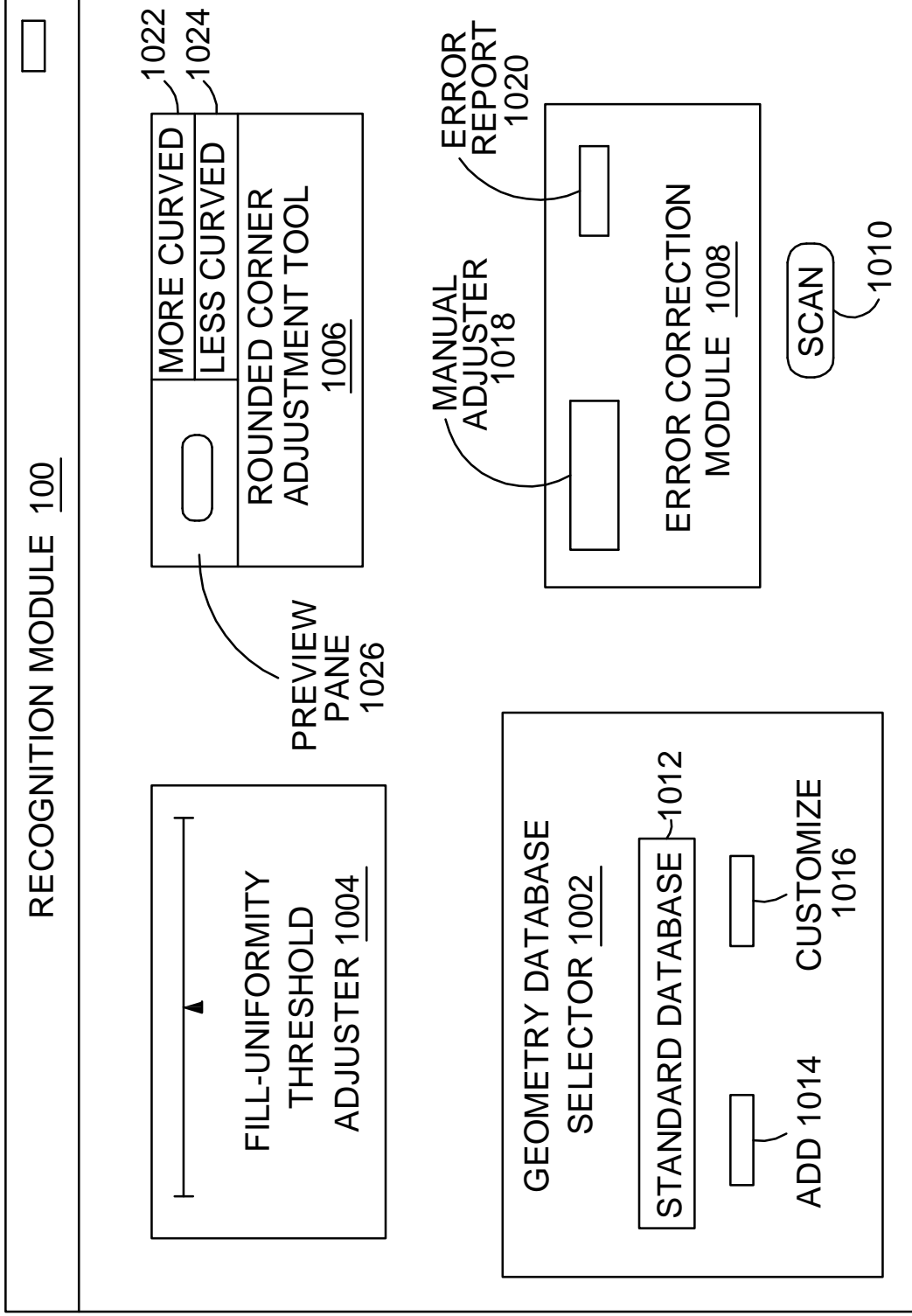


FIGURE 10

1000

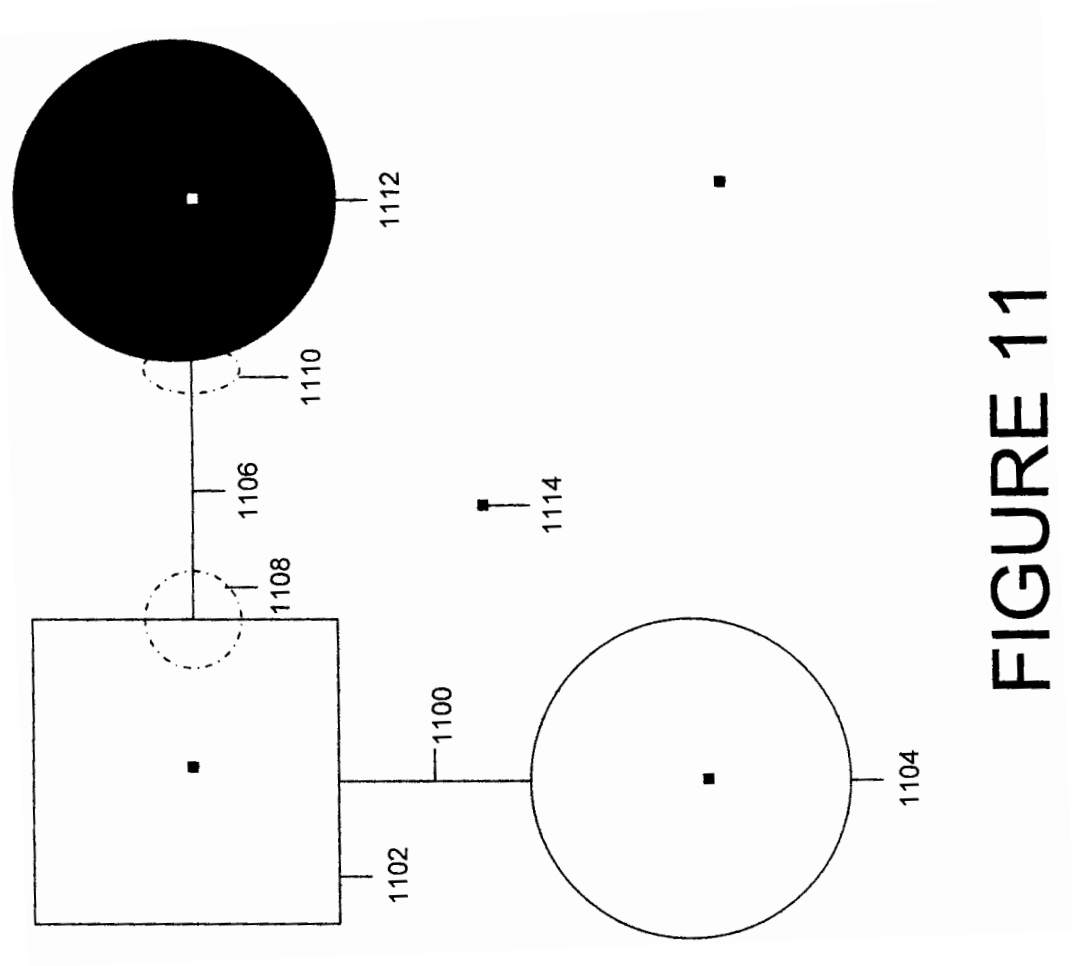


FIGURE 11