

FIGURE 1

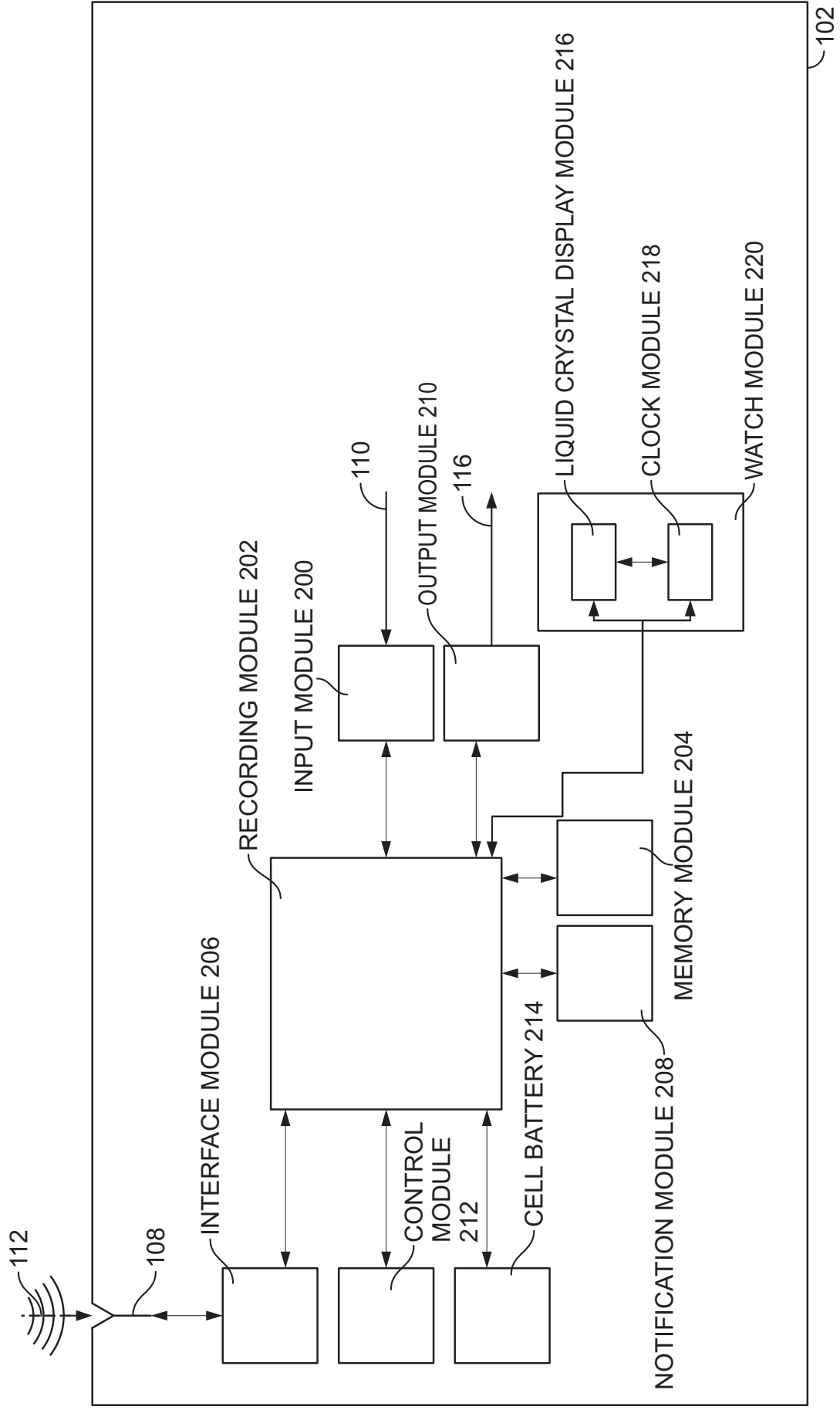


FIGURE 2

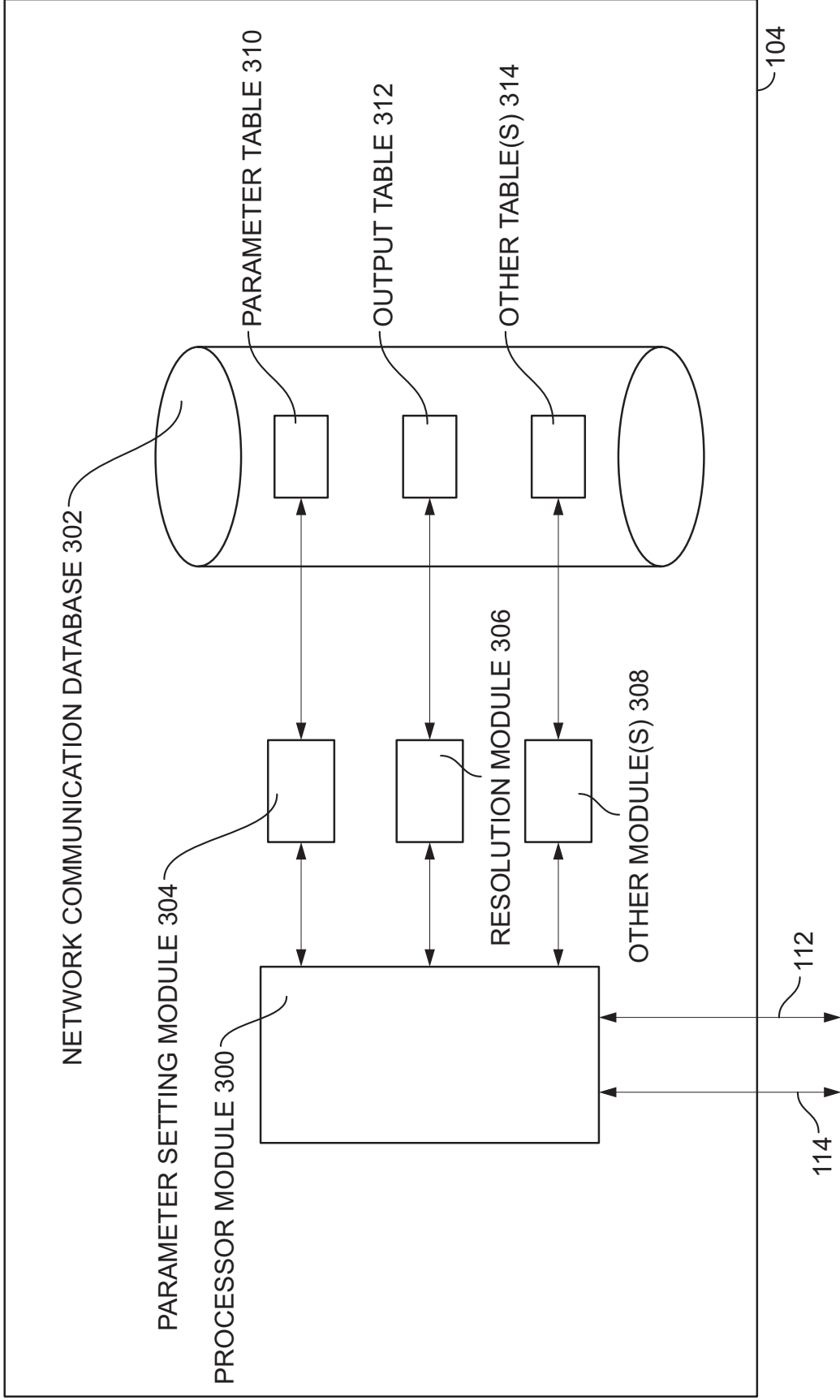


FIGURE 3

WEARABLE COMMUNICATION DEVICE ID	RECORDED DATE & TIME	RECORDED DATA TYPE	SIZE OF RECORDED DATA	FORMAT OF RECORDED DATA	LANGUAGE	COMMUNICATION GROUP ID	OTHER(S)
1111-2222	0811P091105	AUDIO	100K	.DSS	ENGLISH		
3333-4444	1122A091205	PICTURE	2M	.GIF	N/A		
<ul style="list-style-type: none"> ◦ ◦ ◦ 	<ul style="list-style-type: none"> ◦ ◦ ◦ 	<ul style="list-style-type: none"> ◦ ◦ ◦ 	<ul style="list-style-type: none"> ◦ ◦ ◦ 	<ul style="list-style-type: none"> ◦ ◦ ◦ 	<ul style="list-style-type: none"> ◦ ◦ ◦ 		

FIGURE 4

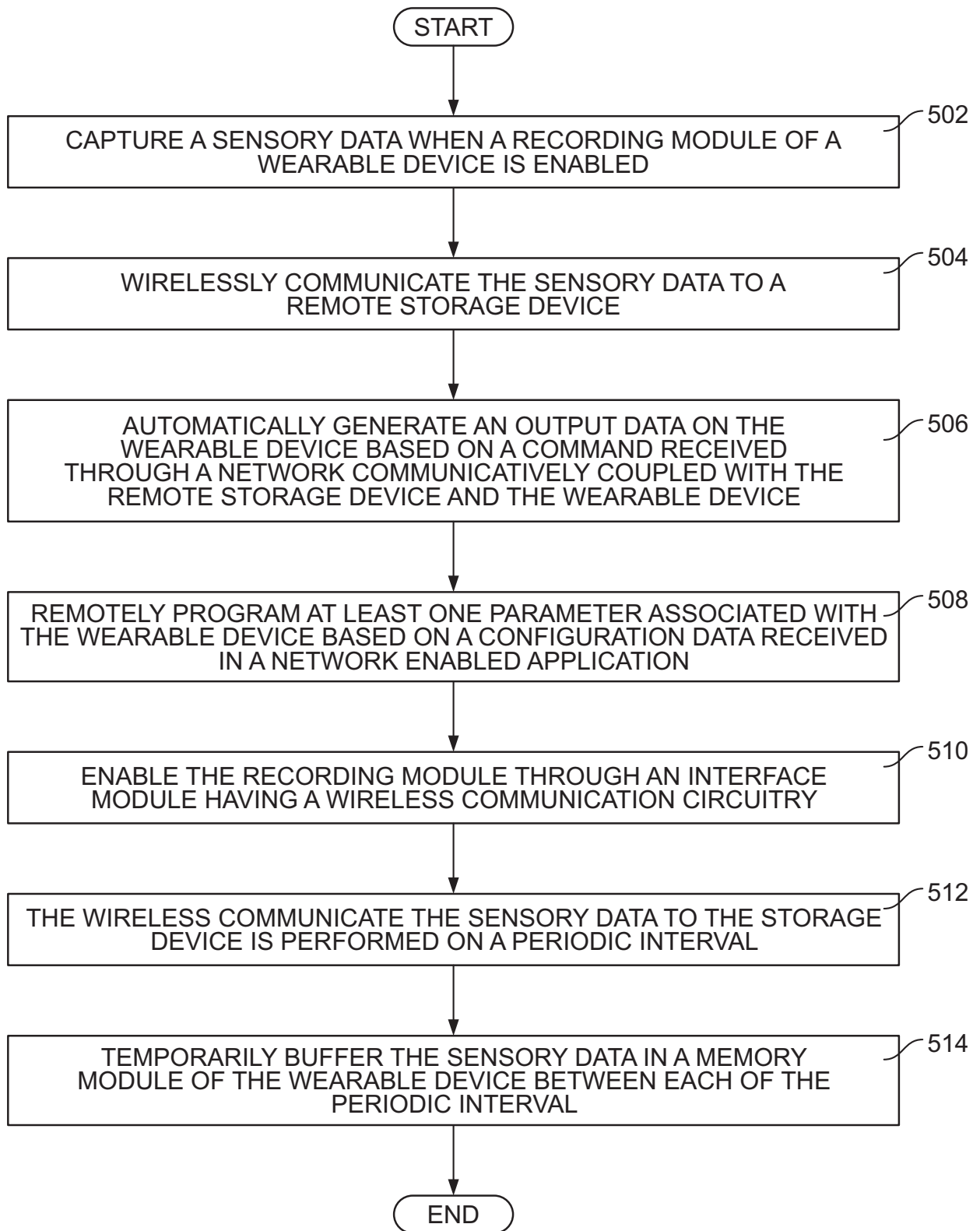


FIGURE 5

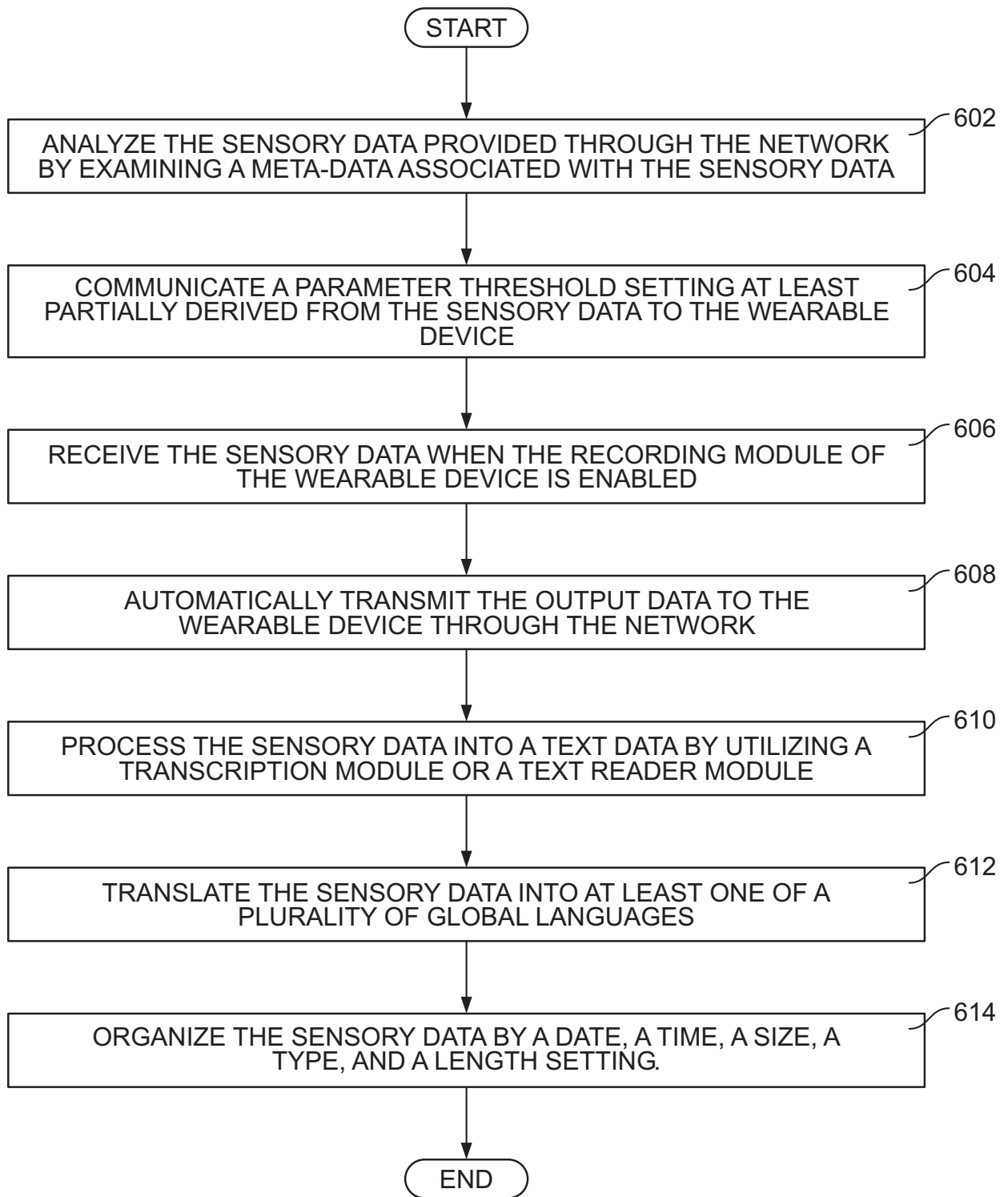


FIGURE 6

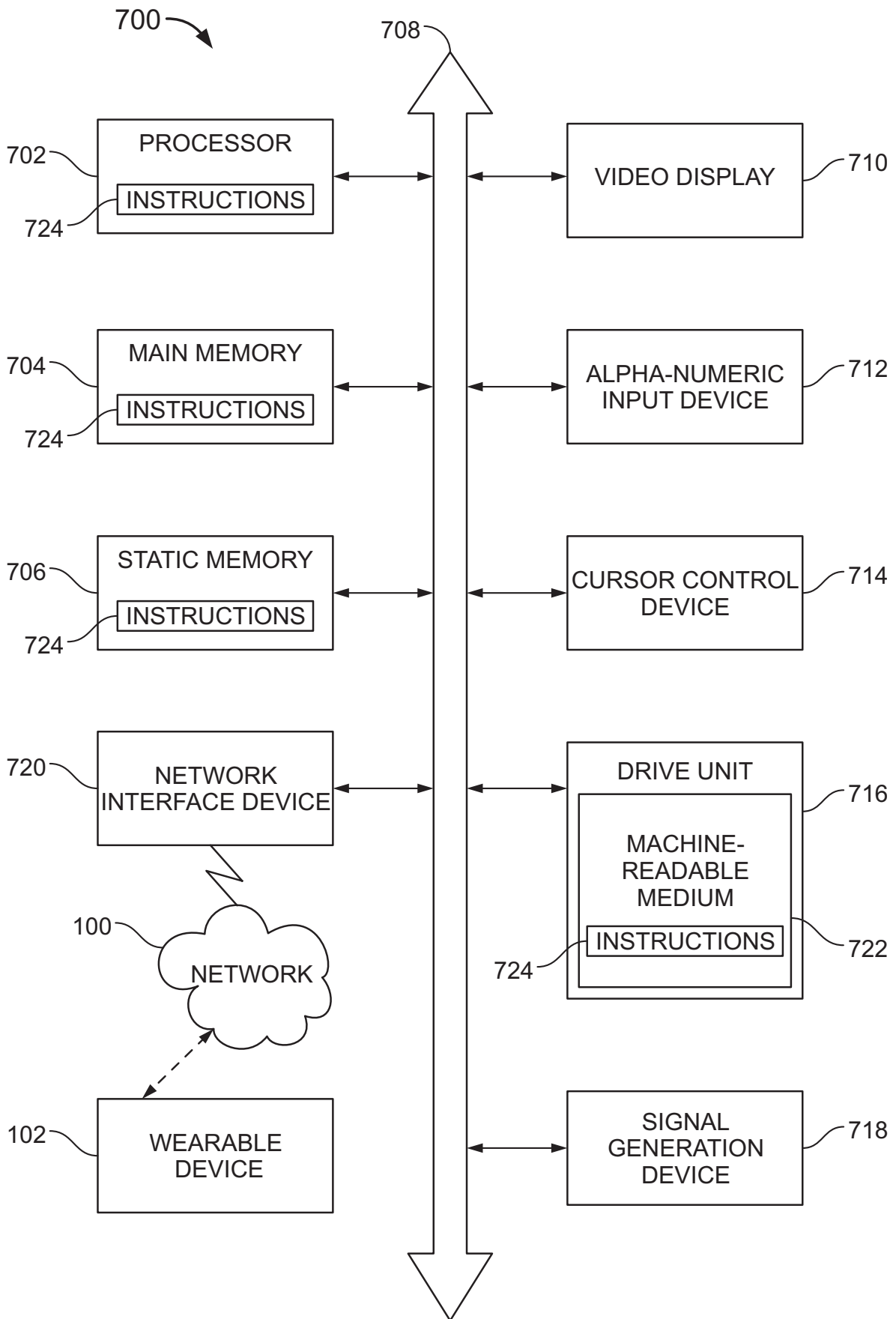


FIGURE 7

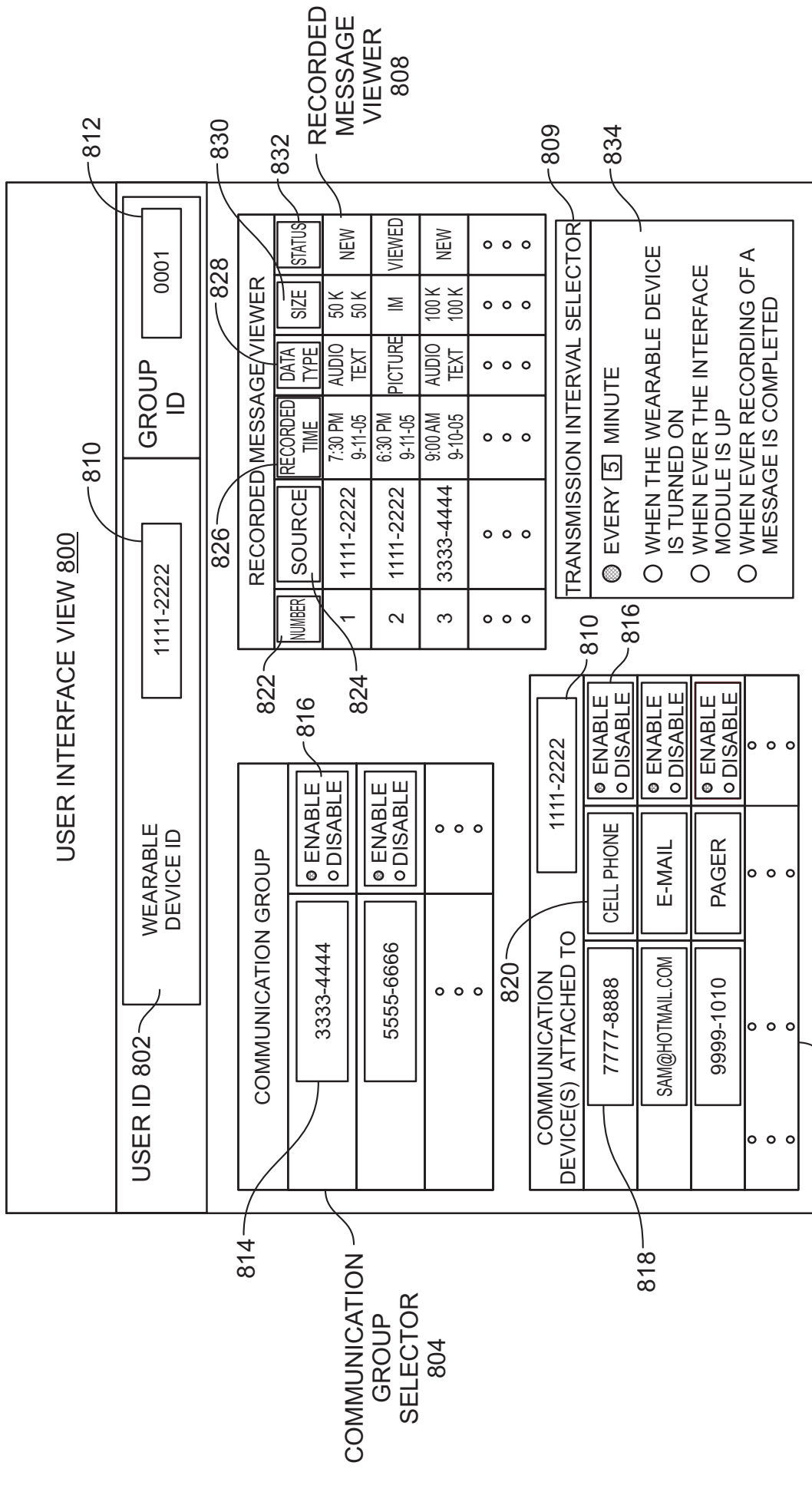


FIGURE 8

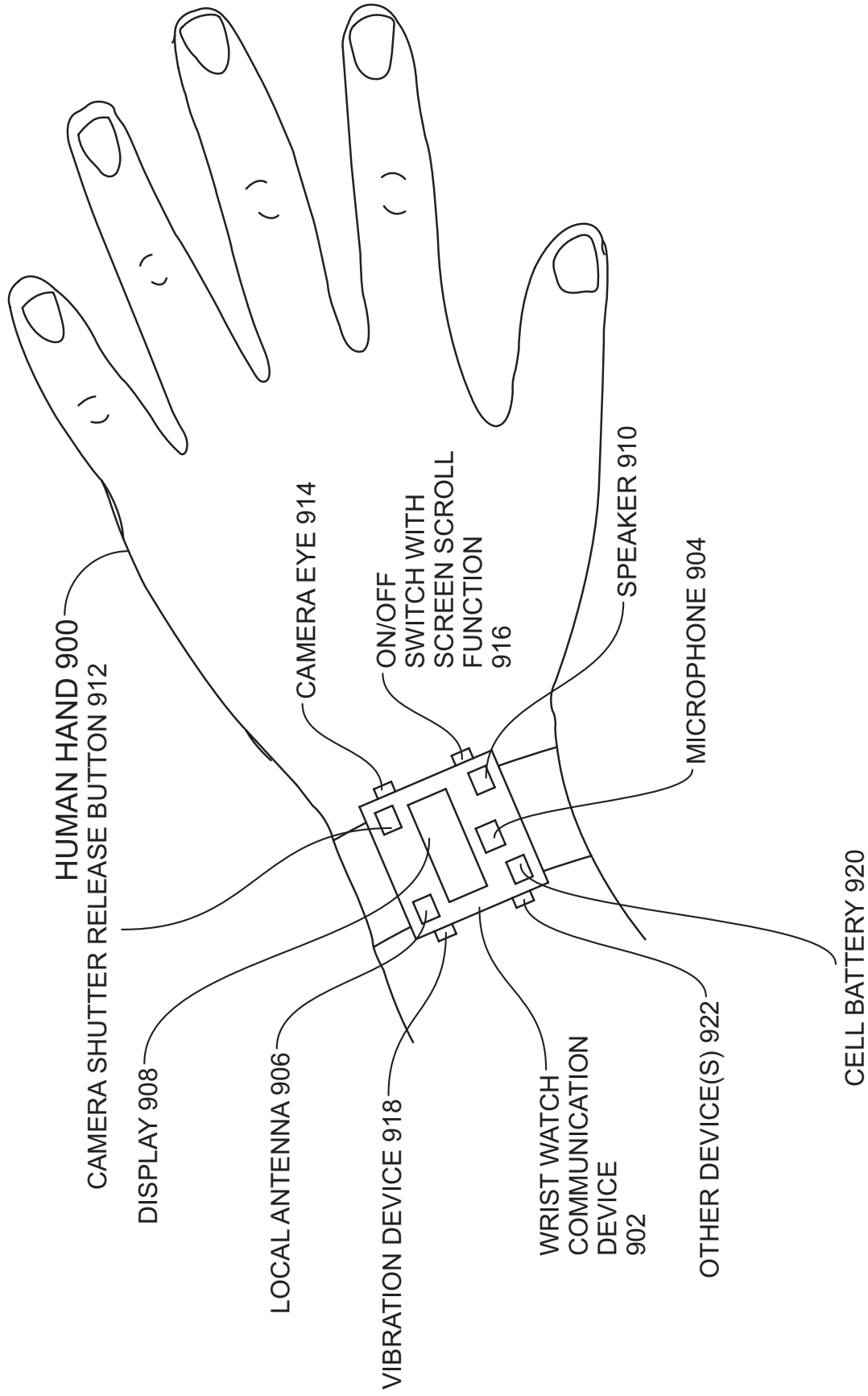


FIGURE 9

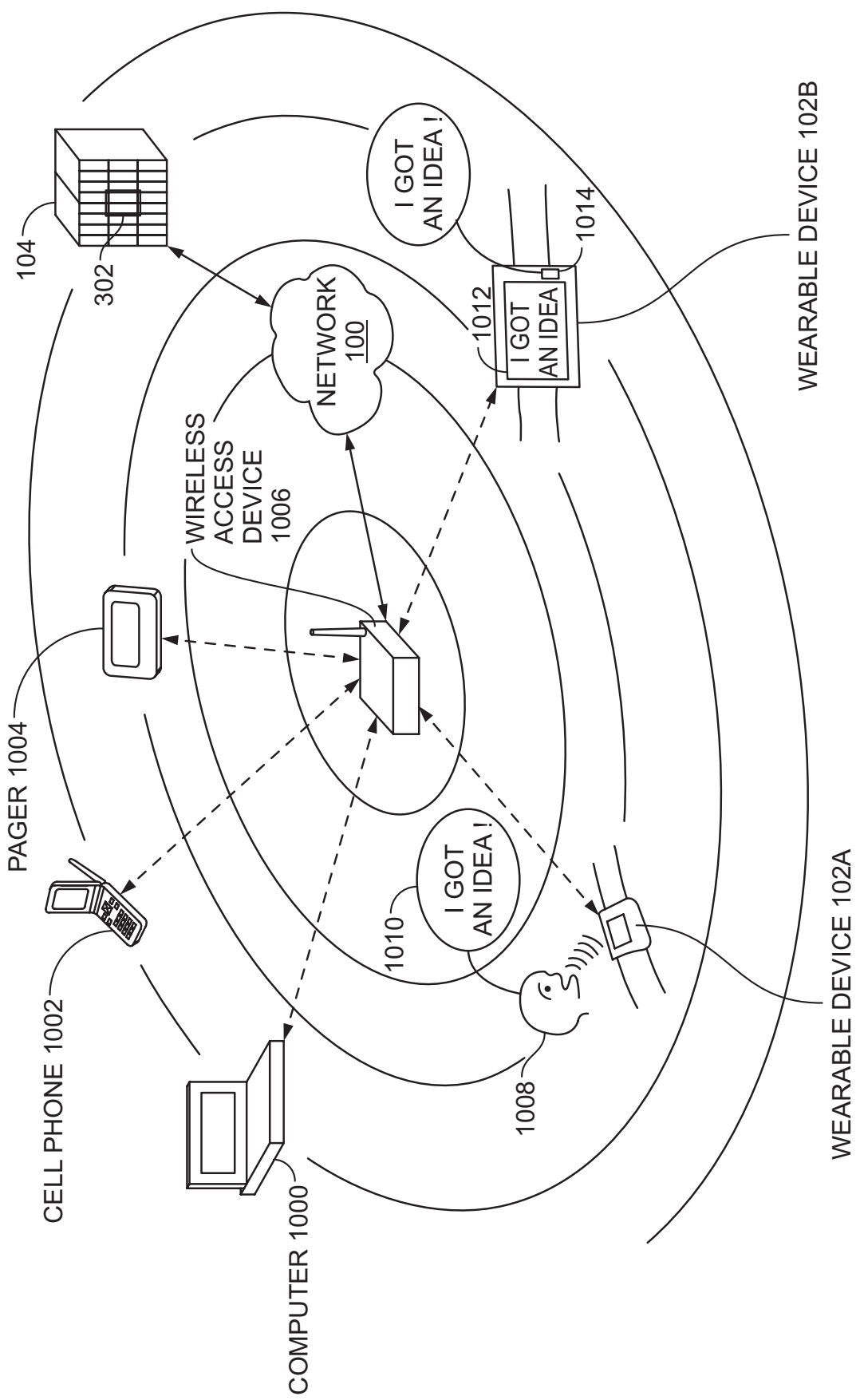


FIGURE 10